

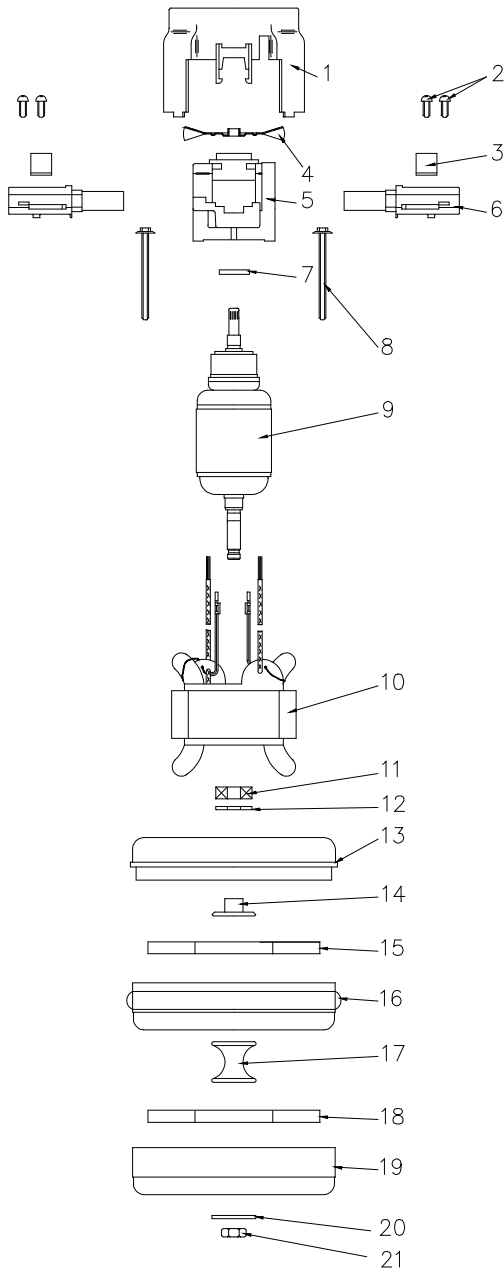
PARTS BULLETIN

AMETEK
LAMB ELECTRIC DIVISION

MODEL NO.
116551-50

ISSUED: January 1994
REVISED: July 2001

4.8"/122mm DIAMETER, 120V, 2-STAGE, BYPASS, BALL/SLEEVE



PARTS LIST

	<u>DESCRIPTION</u>	<u>REQUIRED</u>	<u>PART NO.</u>
1	HOUSING	1	60-3776-4
2	SCREW	4	50-7971
3	CLAMP	2	10-5477
4	FAN	1	0-3930-1
5	COMM END BRACKET	1	22659
6	BRUSH MECHANISM	2	33326-1
7	FIBRE WASHER	1	10-2473
8	SCREW	2	50-7995-1
9	ARMATURE	1	216551-50
10	FIELD	1	315346
11	BALL BEARING	1	70-7613-2
12	NEOPRENE WASHER	1	10-2480
13	FAN END BRACKET	1	20-6999
14	SPACER	1	20-2970
15	ROTATING FAN	1	31301
16	STATIONARY FAN	1	31463
17	SPACER	1	10-2977-1
18	ROTATING FAN	1	31301
19	FAN SHELL	1	40-3721-4
20	WASHER	1	40-2207
21	NUT	1	7491

PART SUBJECT TO CHANGE WITHOUT NOTICE.

*THIS INFORMATION IS FOR PART IDENTITY ONLY,
IT IS NOT TO BE USED AS DISASSEMBLY OR
ASSEMBLY INSTRUCTIONS.*

*REPLACEMENT OF ARMATURE OR FIELD REQUIRES
THE REPLACEMENT OF BRUSH MECHANISM.*

AMETEK/LAMB ELECTRIC DIVISION
627 LAKE STREET, KENT, OHIO 44240
TELEPHONE: (330) 673-3451; FAX: (330) 673-8994